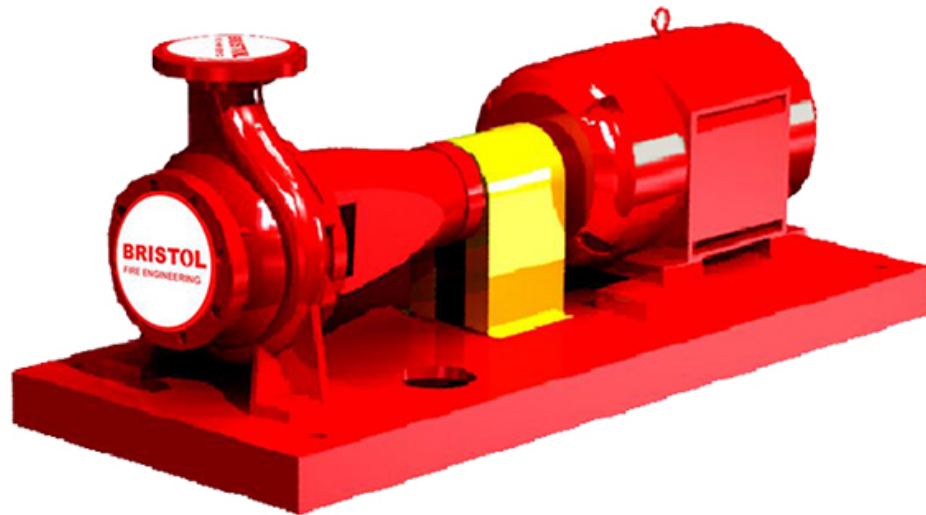


Fire Pumps - End Suction



DESCRIPTION

- Discharge : Vertical Centerline Discharge
- Wear Ring : Bronze - Is standard for the certified ANSI pumps radially split casing with flanged connections
- Bearing (Ind. & Out.) : Deep Grooved Ball Bearing
- Packing Gland : Immersion Graphite Rope
- Shaft : Stainless Steel - Sleeve shaft as standard for extended seal life
- Gland Cover : Bronze - to house a gland seal
- Lantern Ring : Bronze - to keep packing lubricated
- Impeller : Bronze - Enclosed impeller design ensures maximum efficiency
- Suction : Horizontal End Suction ANSI 150# or 300# flange drilling is available based on material selection
- Casing : Ductile Iron 65-45-12 - Heavy-duty power frame

FEATURES

- Available in electric motor driven or engine driven configuration
- Dynamically balanced impellers
- UL File No. : EX16459

PERFORMANCE RANGE

- Capacity : From 50 GPM up to 1000 GPM
- Head : From 40 MTR up to 209 MTR

MATERIALS OF CONSTRUCTION

- Shaft : Stainless Steel
- Casing : Ductile Iron
- Impeller: Bronze / SS304
- Shaft Seal : Packing Gland-Immersion Graphite

More Details

END SUCTION SELECTION CHART

Model	Rated Capacity (GPM)	Size (In)	UL Listed Pressure (PSI)	FM Approved Pressure (PSI)	Rated Speed (RPM)
-------	----------------------	-----------	--------------------------	----------------------------	-------------------

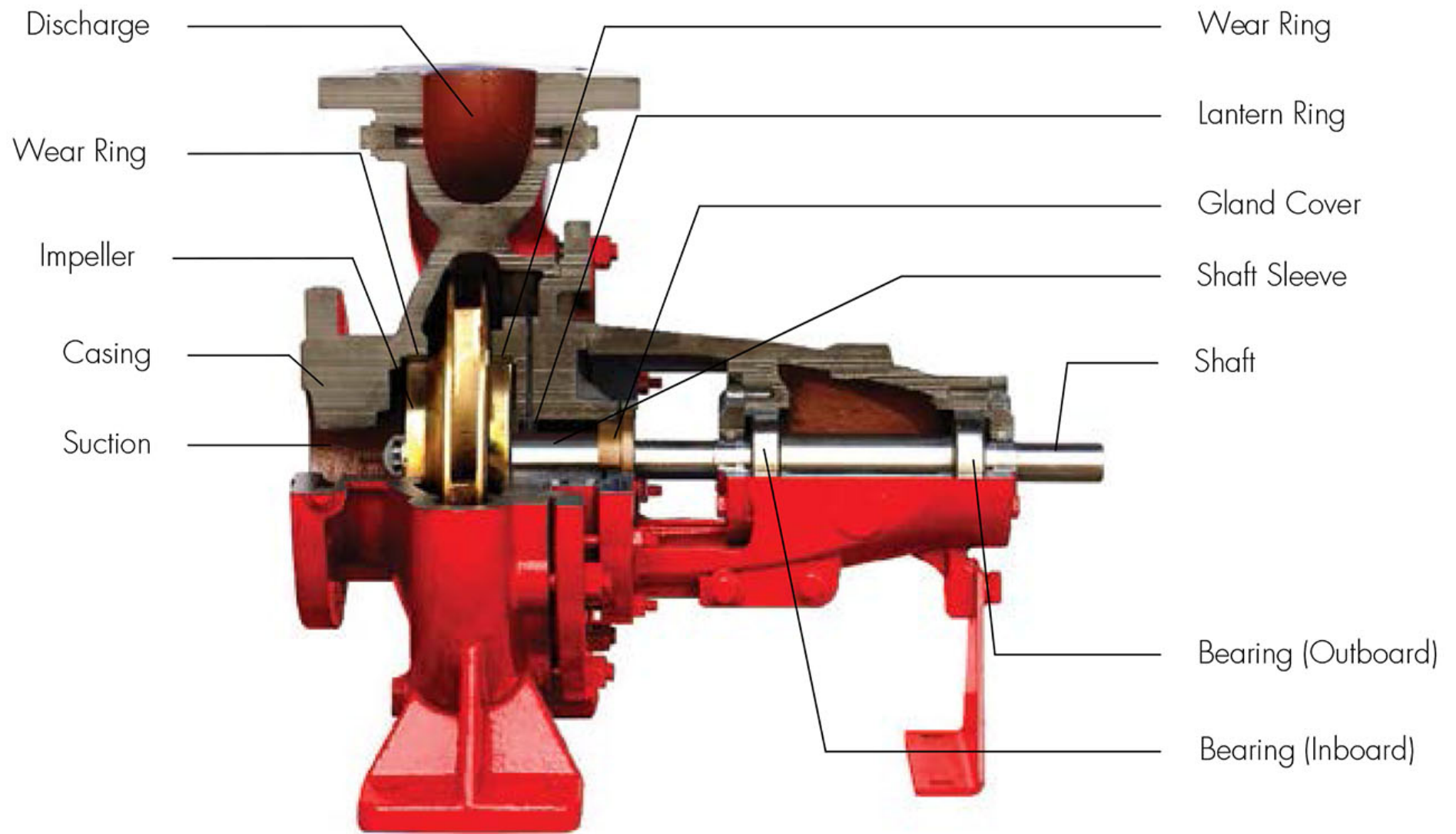
Model	Rated Capacity (GPM)	Size (In)	UL Listed Pressure (PSI)	FM Approved Pressure (PSI)	Rated Speed (RPM)
IS32 – 200	50	2 x 1 ¼	62-95		2950
IS32 – 200	50	2 x 1 ¼	55-85		2800
IS32 – 260	50	2 x 1 ¼	113 - 130		2950
IS32 – 260	100	2 x 1 ¼	103 - 125		2950
IS50 – 320H	50	2½ x 2	103-167		2600
IS50 – 320H	50	2½ x 2	88-142		2400
IS50 – 320H	100	2½ x 2	178-298		3500
IS50 – 320H	100	2½ x 2	132-210		2950
IS50 – 320H	100	2½ x 2	119-189		2800
IS50 – 320H	100	2½ x 2	102-166		2600
IS50 – 320H	100	2½ x 2	87-141		2400
IS50 – 320H	150	2½ x 2	177-296		3500
IS50 – 320H	150	2½ x 2	132-209		2950
IS50 – 320H	150	2½ x 2	118-188		2800
IS50 – 320H	150	2½ x 2	99-165		2600
IS50 – 320H	150	2½ x 2	84-140		2400
IS50 – 320H	200	2½ x 2	173-296		3500
IS50 – 320H	200	2½ x 2	127-209		2950

Model	Rated Capacity (GPM)	Size (In)	UL Listed Pressure (PSI)	FM Approved Pressure (PSI)	Rated Speed (RPM)
IS50 – 320H	200	2½ x 2	113-188		2800
IS65 – 320H	200	3 x 2½	159-290		3500
IS65 – 320H	200	3 x 2½	108-201		2950
IS65 – 320H	200	3 x 2½	97-181		2800
IS65 – 320H	200	3 x 2½	104-158		2600
IS65 – 320H	200	3 x 2½	88-133		2400
IS80 – 260	200	4 x 3		111-151	2950
IS65 – 320H	250	3 x 2½	157-290		3500
IS65 – 320H	250	3 x 2½	107-201		2950
IS65 – 320H	250	3 x 2½	97-181		2800
IS65 – 320H	250	3 x 2½	102-155		2600
IS65 – 320H	250	3 x 2½	85-131		2400
IS65 – 320H	300	3 x 2½	155-289		3500
IS65 – 320H	300	3 x 2½	107-201		2950
IS65 – 320H	300	3 x 2½	97-181		2800
IS65 – 320H	300	3 x 2½	98-152		2600
IS65 – 320H	300	3 x 2½	82-128		2400
IS80 - 260	300	4 x 3		111-150	2950

Model	Rated Capacity (GPM)	Size (In)	UL Listed Pressure (PSI)	FM Approved Pressure (PSI)	Rated Speed (RPM)
IS80 - 260	300	4 x 3	167-222		3550
IS80 – 320H	300	4 x 3	159-203		2950
IS80 – 320H	300	4 x 3	143-183		2800
IS80 - 260	400	4 x 3	165-222		3550
IS80 - 260	400	4 x 3	105-139	110-149	2950
IS80 – 320H	400	4 x 3	158-203		2950
IS80 – 320H	400	4 x 3	142-183		2800
IS100 – 320H	400	5 x 4	123-158	122-236	2950
IS100 – 320H	400	5 x 4	110-142		2800
IS100 – 320H	400	5 x 4	98-172	118-168	2600
IS100 – 320H	400	5 x 4	83-147		2400
IS80 – 320H	450	4 x 3	157-203		2950
IS80 – 320H	450	4 x 3	140-182		2800
IS100 – 320H	450	5 x 4	122-158	121-235	2950
IS100 – 320H	450	5 x 4	110-142		2800
IS100 – 320H	450	5 x 4	98-172		2600
IS100 – 320H	450	5 x 4	83-147		2400
IS80 - 260	500	4 x 3	101-137	108-146	2950

Model	Rated Capacity (GPM)	Size (In)	UL Listed Pressure (PSI)	FM Approved Pressure (PSI)	Rated Speed (RPM)
IS80 - 260	500	4 x 3	163-220		3550
IS80 – 320H	500	4 x 3	155-202		2950
IS80 – 320H	500	4 x 3	136-182		2800
IS100 - 260	500	5 x 4	144-212		3550
IS100 – 320H	500	5 x 4	122-158		2950
IS100 – 320H	500	5 x 4	110-142		2800
IS100 – 320H	500	5 x 4	97-172	116-168	2600
IS100 – 320H	500	5 x 4	82-147		2400
IS100 – 320H	750	5 x 4	119-147	119-233	2950
IS100 – 320H	750	5 x 4	104-131		2800
IS100 – 320H	750	5 x 4	89-166	111-166	2600
IS100 - 260	750	5 x 4	113-139	111-143	2950
IS100 - 260	750	5 x 4	140-212		3550
IS100 - 260	1000	5 x 4	104-131	109-141	2950
IS100 - 260	1000	5 x 4	132-208		3550

CHARACTERISTICS



PUMP - DIMENSION TABLE (MM)

MODEL	A	B	C	D	E	F	Ff	G	H	L	M	N	P	Ø j	K
IS32 - 200	80	360	160	183.5	70	100	50	267	49	110	140	190	240	22.225	4.7x4.7x32
IS32 - 260	100	360	180	228	95	125	65	267	49	110	140	250	320	22.225	4.7x4.7x32
IS50 - 320H	125	470	225	285.6	95	125	65	342	79.4	110	140	280	345	28.575	6.35x6.35x44.5
IS65 - 320H	125	470	225	280	120	160	80	342	79.4	110	140	315	400	28.575	6.35x6.35x44.5
IS80 - 260	125	470	200	280	120	160	80	342	79.4	110	140	315	400	28.575	6.35x6.35x44.5
IS80 - 320H	125	470	250	317	120	160	80	342	79.4	110	140	315	400	28.575	6.35x6.35x44.5
IS100 - 260	140	470	225	280	120	160	80	342	79.4	110	140	315	400	28.575	6.35x6.35x44.5
IS100 - 320H	142	470	250	316	120	160	80	342	79.4	110	140	315	400	28.575	6.35x6.35x44.5

FLANGE - DIMENSION TABLE (MM)

Model	Suction					Discharge				
	ID	(Pump Casing Range) OD	No. of Holes	Bolt Size	BCD	ID	(Pump Casing Range) OD	No. of Holes	Bolt Size	BCD
IS32-200	50	165	4	15.875 11UNC- 2B	120.700	32	140	4	12.70 13UNC- 2B	88.900
IS32-260	50	165	4	15.875 11UNC- 2B	120.700	32	140	4	12.70 13UNC- 2B	88.900

Model	Suction					Discharge				
	ID	(Pump Casing Range) OD	No. of Holes	Bolt Size	BCD	ID	(Pump Casing Range) OD	No. of Holes	Bolt Size	BCD
IS50-320H	65	185	4	15.875 11UNC- 2B	139.700	50	165	4	15.88 11UNC- 2B	120.700
IS65-320H	80	200	4	15.875 11UNC- 2B	152.400	65	185	4	15.88 11UNC- 2B	139.700
IS80-260	100	229	8	15.875 11UNC- 2B	190.500	80	200	4	15.88 11UNC- 2B	152.400
IS80-320H	100	229	8	15.875 11UNC- 2B	190.500	80	200	4	15.88 11UNC- 2B	152.400
IS100-260	125	254	8	19.050 11UNC- 2B	215.900	100	229	8	15.88 11UNC- 2B	190.500
IS100- 320H	125	254	8	19.050 11UNC- 2B	215.900	100	229	8	15.88 11UNC- 2B	190.500